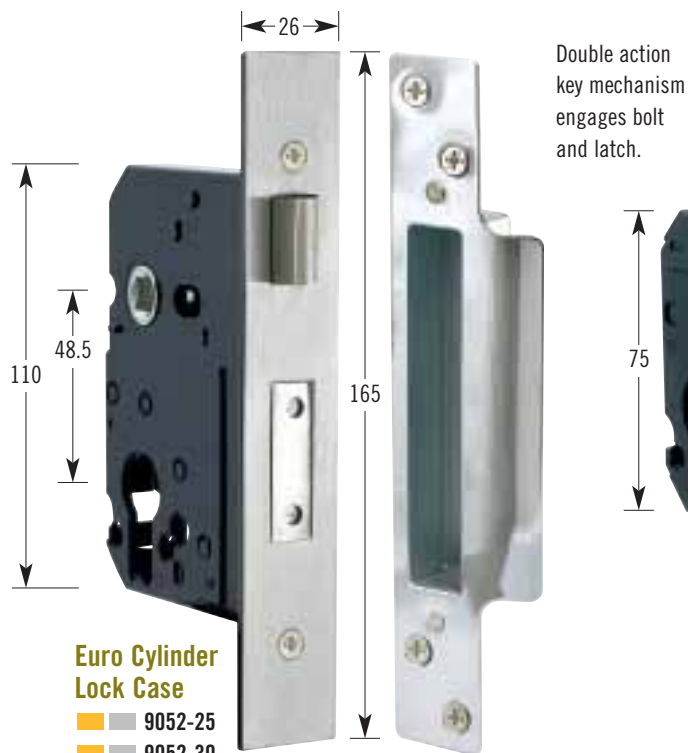
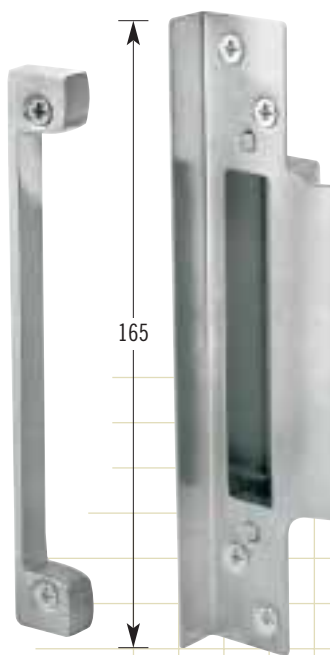


## Euro Cylinder Sash Lock



### Rebate Kit

■ 9052RK



### Replacement Rebated Forend Cover Plate

- Easy to install cover plate encases forend for neat finish (packer and strip not visible)
  - To be used with 9052 rebated lock
- 9052LC

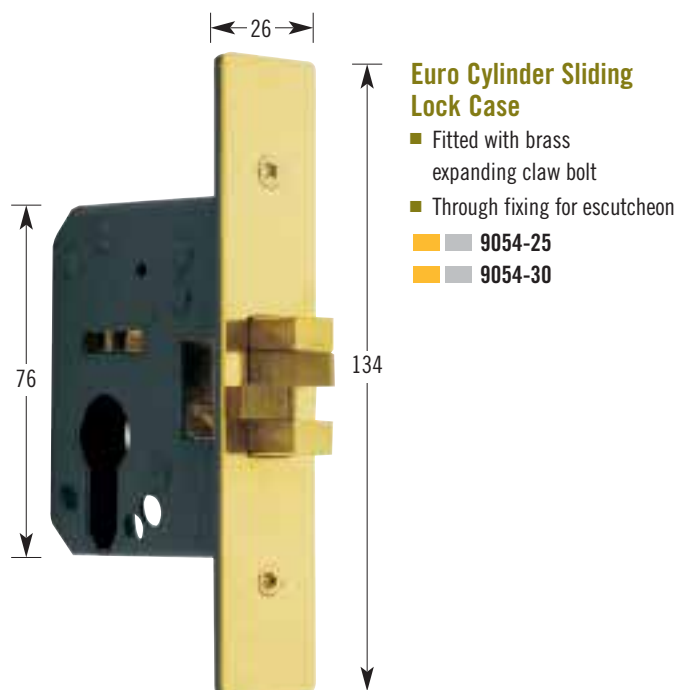


Replacement Rebated Forend Cover Plate

## Euro Cylinder Dead Bolt



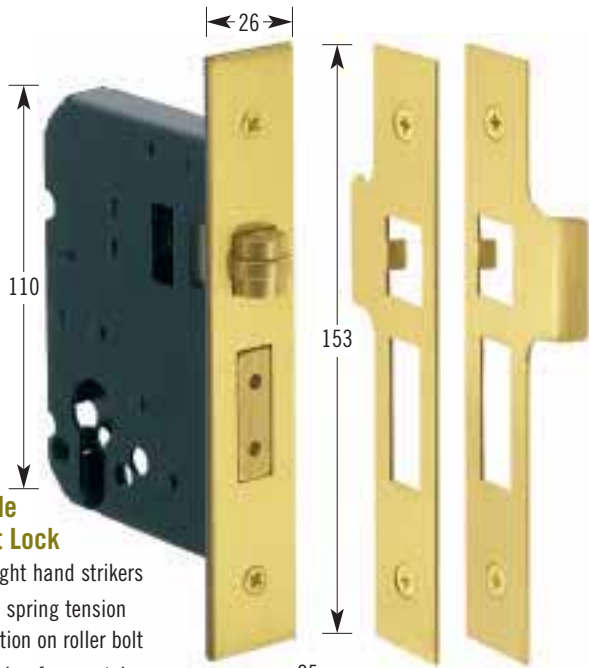
## Cylinder Sliding Lock Case



| CODE    | CS | BS | L   | W  |
|---------|----|----|-----|----|
| 9052-25 | 64 | 44 | •   | •  |
| 9052-30 | 76 | 57 | •   | •  |
| 9052LC  | •  | •  | 167 | 27 |
| 9052RK  | •  | •  | •   | •  |
| 9054-25 | 64 | 45 | •   | •  |
| 9054-30 | 76 | 57 | •   | •  |
| 9071-25 | 64 | 44 | •   | •  |
| 9071-30 | 76 | 57 | •   | •  |
| MLREBD  | •  | •  | •   | •  |



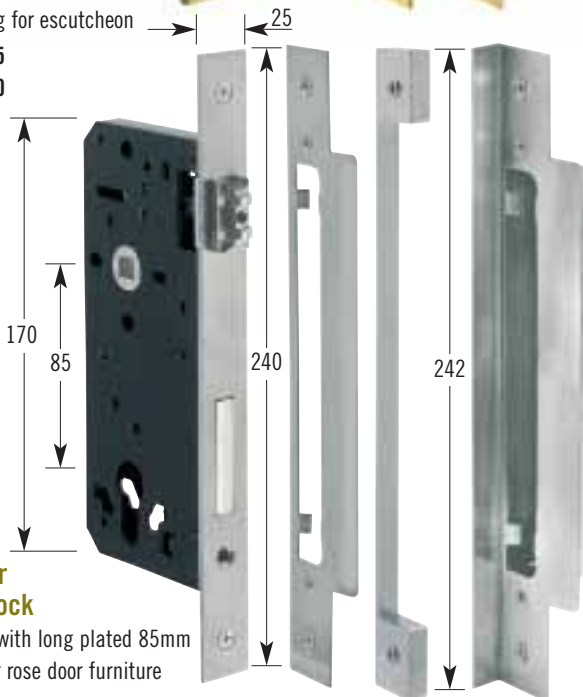
## Euro Cylinder Roller Bolt Lock



### Euro Profile Roller Bolt Lock

- Left and right hand strikers
- Adjustable spring tension and projection on roller bolt
- Through fixing for escutcheon

■ ■ 9050-25  
■ ■ 9050-30



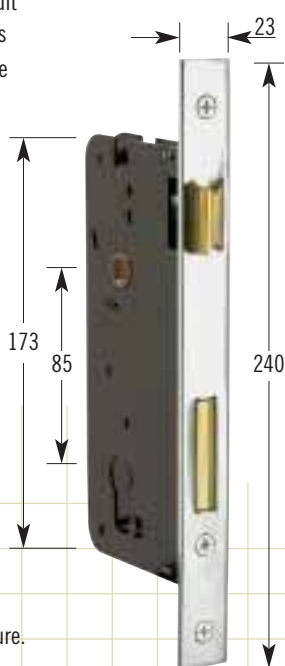
### Euro Cylinder Roller Bolt Lock

- Can be used with long plated 85mm euro punch or rose door furniture
- Flat and rebated box strikers suit either right or left handed doors
- Through fixing for door furniture and escutcheon

■ ■ 9140-50  
■ ■ 9140-60

### Rebate Kit

■ ■ 9140RBS



## Euro Cylinder Sash Lock

### Cylinder Lock Case

85mm Centre

■ EL40  
■ ■ EL50  
■ EL60

Double action key mechanism engages bolt and latch.  
Not suitable for through fix furniture.

# SECURITY products

## Euro Locks - Bolts Rebate Kits

FINISHES ■ CHROME PLATE ■ STAINLESS STEEL  
■ POLISHED BRASS

## Euro Cylinder Sash Lock

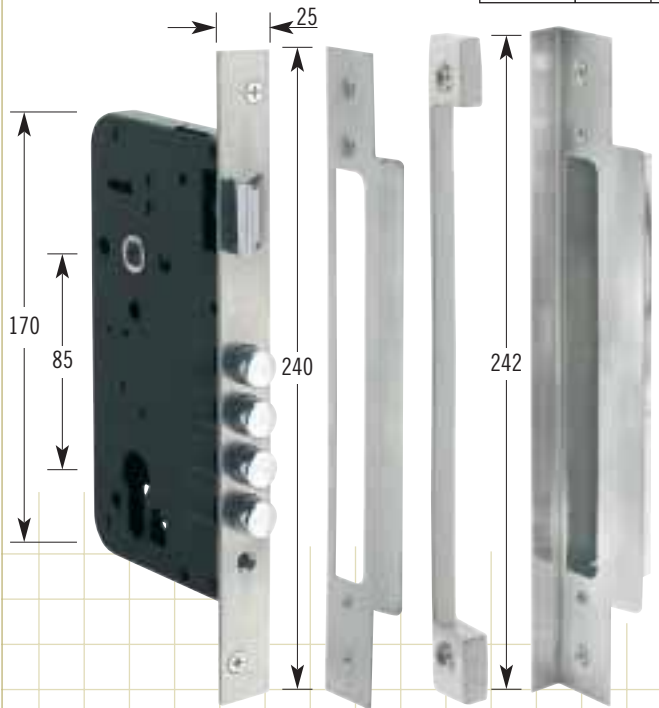
### Euro Sash Lock

85mm Centre

- Four hardened steel security bolts
- Double throw on bolts for extra security
- Double action key mechanism engages bolt and latch
- Through fixing for door furniture and escutcheon
- Available rebated or non rebated

■ ■ 9068-50  
■ ■ 9068-60

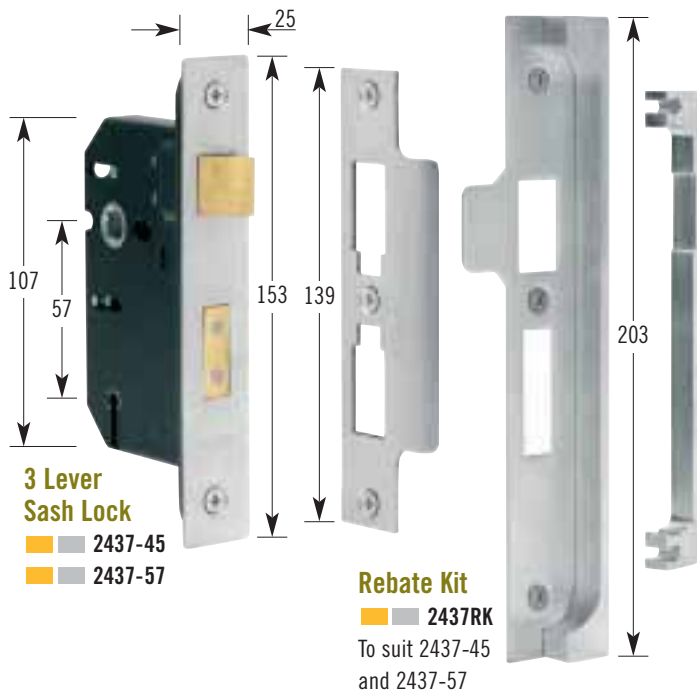
| CODE    | CS | BS |
|---------|----|----|
| EL40    | 68 | 40 |
| EL50    | 78 | 50 |
| EL60    | 88 | 60 |
| 9050-25 | 64 | 45 |
| 9050-30 | 76 | 57 |
| 9068-50 | 78 | 50 |
| 9068-60 | 88 | 60 |
| 9068RBS | •  | •  |
| 9140-50 | 78 | 50 |
| 9140-60 | 88 | 60 |
| 9140RBS | •  | •  |



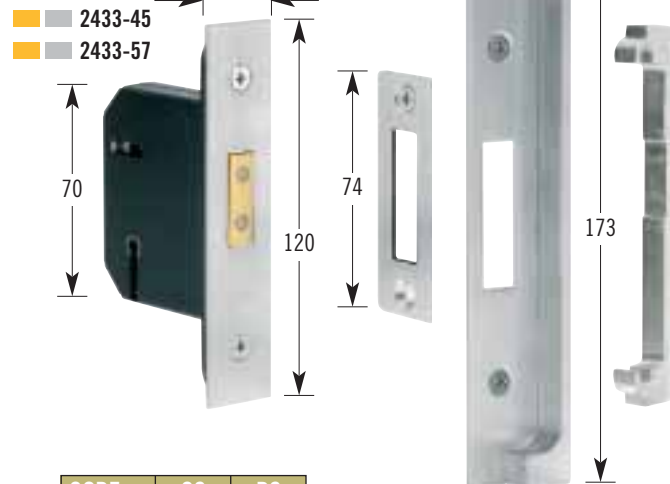
### Rebate Kit

■ ■ 9068RBS

## Architectural Lever Locks and Latches



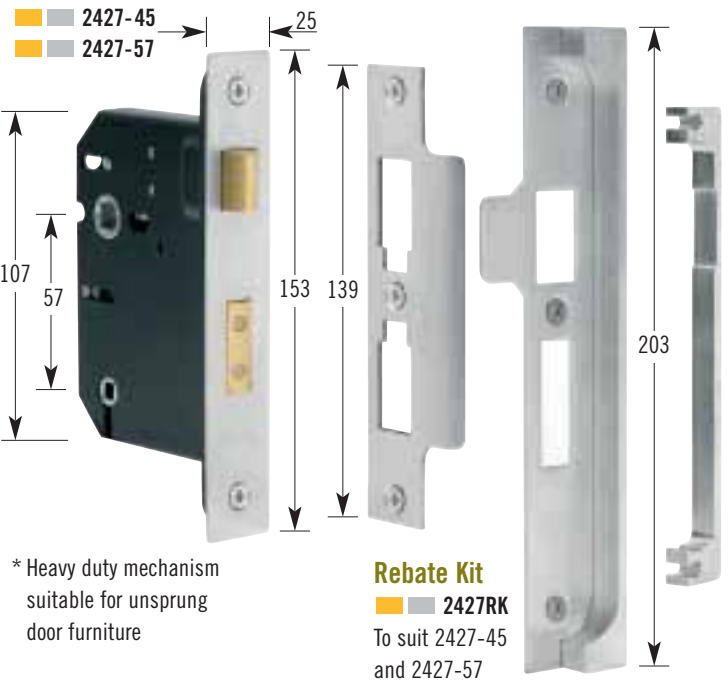
### 3 Lever Mortice Dead Bolt



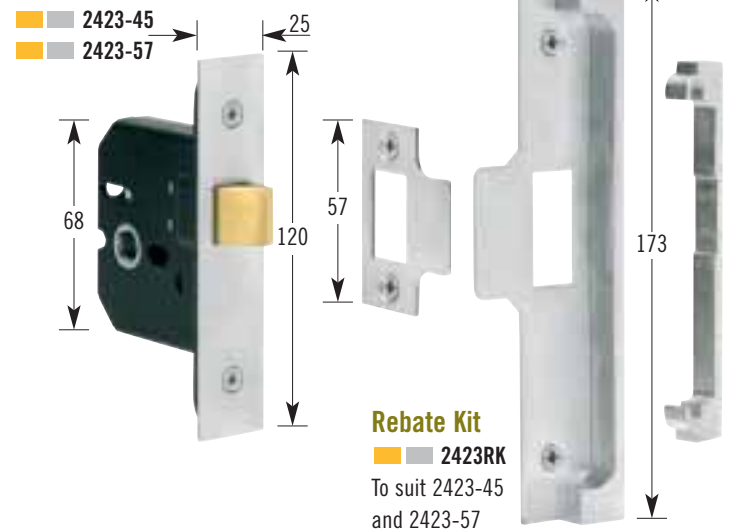
| CODE     | CS | BS |
|----------|----|----|
| 2423-45  | 63 | 45 |
| 2423-57  | 76 | 57 |
| 2427-45  | 63 | 45 |
| 2427-57  | 76 | 57 |
| 2433-45  | 63 | 45 |
| 2433-57  | 76 | 57 |
| 2437-45  | 63 | 45 |
| 2437-57  | 76 | 57 |
| 2437L-45 | 63 | 45 |
| 2437L-57 | 76 | 57 |

## Architectural Lever Locks and Latches

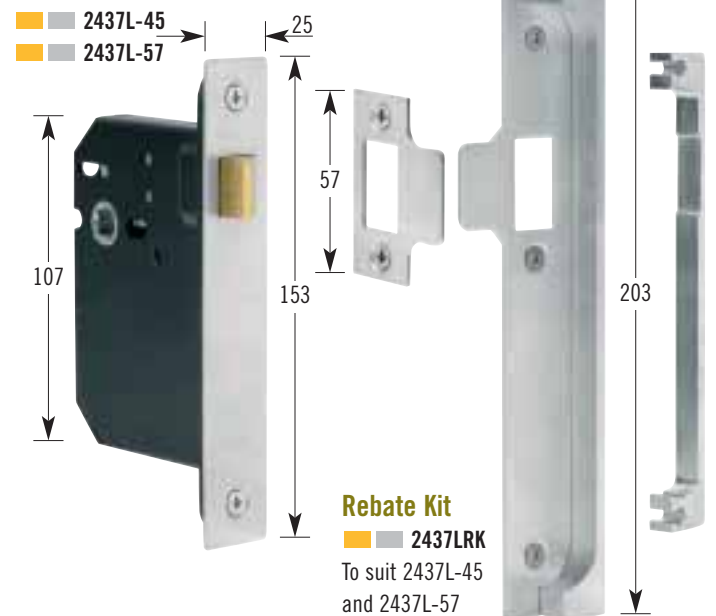
### Mortice Bathroom Lock



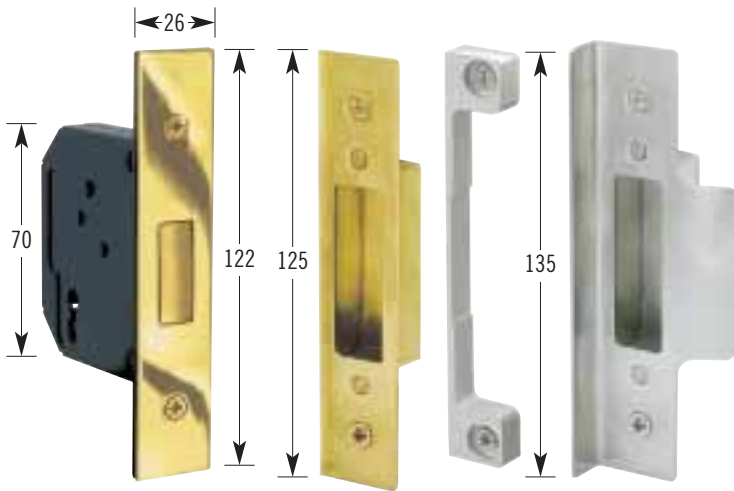
### Mortice Latch



### Full Case Mortice Latch



## Economy Range



### 3 Lever Dead Bolt

- ■ ML9121-25
- ■ ML9121-30

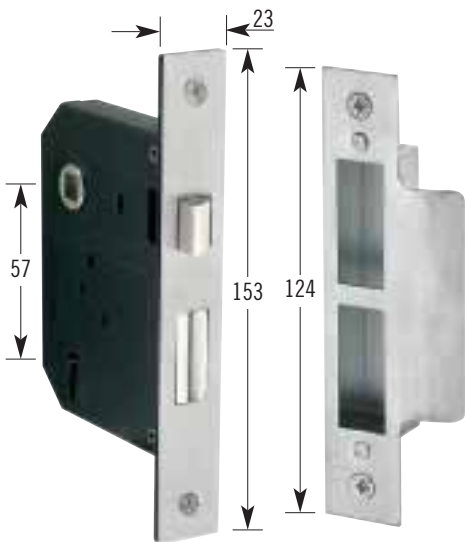
### 5 Lever Dead Bolt

- ■ ML9123-25
- ■ ML9123-30

### Rebate Kit

- ■ MLREBD

To suit ML9121-25, ML9121-30, ML9123-25 and ML9123-30

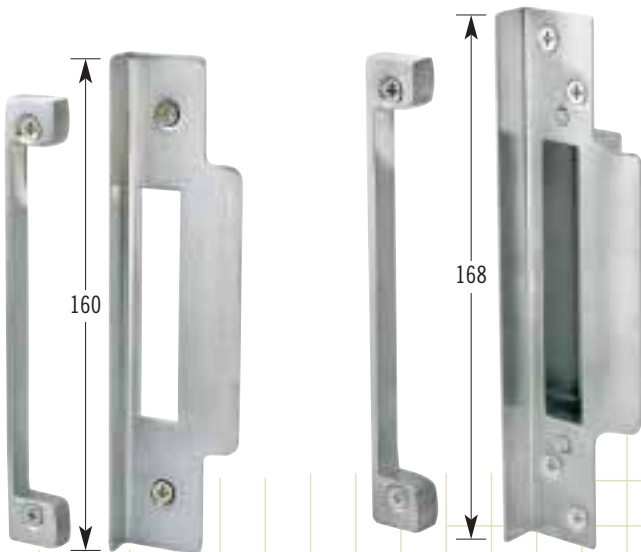


### 3 Lever Sash Lock

- ■ ML9122-25
- ■ ML9122-30

### 5 Lever Sash Lock

- ■ ML9124-25
- ■ ML9124-30



### Rebate Kit

- ■ ■ 9700

To suit ML9122-25 and ML9122-30

### Rebate Kit for 5 Lever

- ■ MLREB

To suit ML9124-25 and ML9124-30

# SECURITY

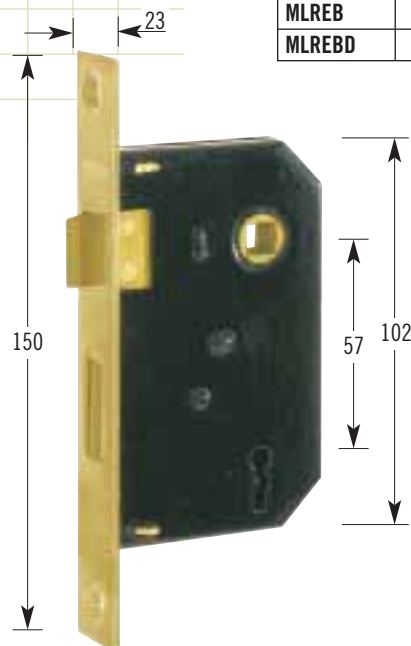
## products

## Lever Locks - Latches Rebate Kits

| FINISHES | ■ CHROME PLATE   | ■ SATIN CHROME PLATE    |
|----------|------------------|-------------------------|
|          | ■ NICKEL PLATE   | ■ STAINLESS STEEL       |
|          | ■ POLISHED BRASS | ■ SATIN STAINLESS STEEL |

## Economy Range

| CODE      | H   | CS | BS |
|-----------|-----|----|----|
| 9700      | 165 | •  | •  |
| ML225     | •   | 64 | 44 |
| ML230     | •   | 76 | 57 |
| ML325     | •   | 64 | 44 |
| ML330     | •   | 76 | 57 |
| ML9121-25 | •   | 64 | 44 |
| ML9121-30 | •   | 76 | 57 |
| ML9122-25 | •   | 64 | 44 |
| ML9122-30 | •   | 76 | 57 |
| ML9123-25 | •   | 64 | 44 |
| ML9123-30 | •   | 76 | 57 |
| ML9124-25 | •   | 64 | 44 |
| ML9124-30 | •   | 76 | 57 |
| MLREB     | 168 | •  | •  |
| MLREBD    | 125 | •  | •  |



### 2 Lever Sash Lock

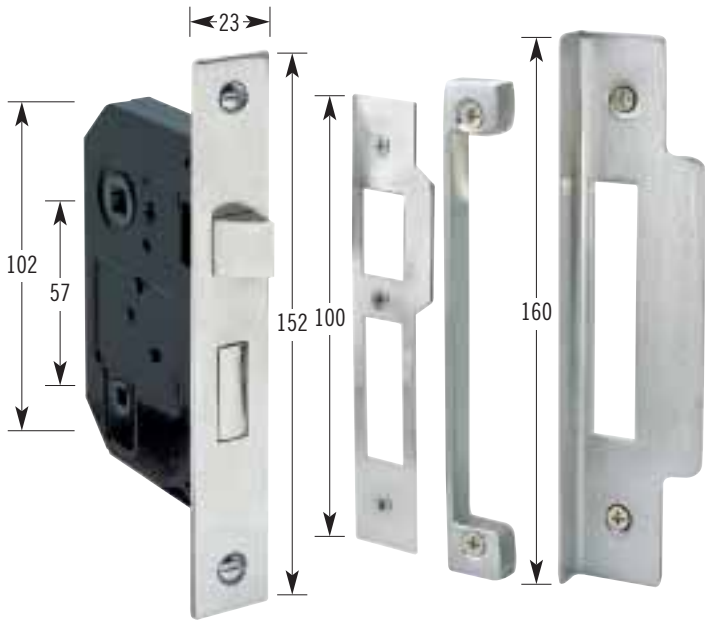
- ■ ML225
- ■ ML230

### 3 Lever Sash Lock

- ■ ML325
- ■ ML330

Can be used with 9700 Rebate Kit

## Bathroom 'Lock'



### Bathroom 'Lock'

- ■ BL25
- ■ BL30

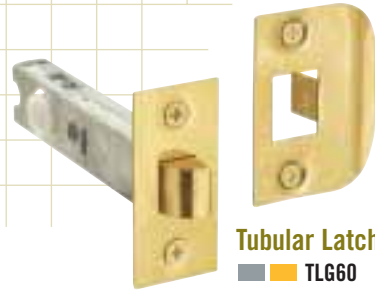
Use with Delf 195, 199, 200, 200A, 201, 202, 202A and Legge L0014/51

### Rebate Kit

- ■ ■ 9700

## Rim Lock / Dead Lock / Latches

| CODE   | H   | W  | D  | CS  | BS |
|--------|-----|----|----|-----|----|
| 9700   | 165 | •  | •  | •   | •  |
| 9701   | 65  | 45 | •  | •   | •  |
| BL25   | •   | •  | •  | 64  | 44 |
| BL30   | •   | •  | •  | 76  | 57 |
| L7042  | 80  | 58 | •  | •   | •  |
| RL64   | •   | •  | •  | 152 | 44 |
| SDN170 | 87  | 64 | 25 | •   | •  |
| TL25   | •   | •  | •  | 64  | 44 |
| TL30   | •   | •  | •  | 76  | 60 |
| TLG60  | •   | •  | •  | 80  | 60 |
| TLG70  | •   | •  | •  | 90  | 70 |
| TLP60  | •   | •  | •  | •   | 60 |
| TL25HD | •   | •  | •  | •   | 45 |
| TL30HD | •   | •  | •  | •   | 60 |



### Tubular Latch

- ■ TLG60
- TLG70



### Double Cylinder Dead Lock

- ■ ■ ■ ■ ■ SDN170



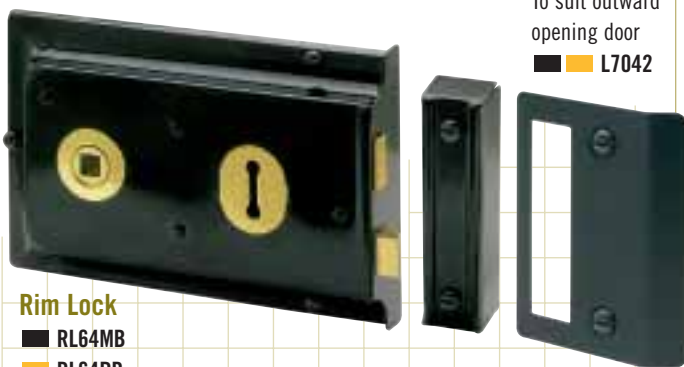
### Tubular Latch

- ■ TL25
- ■ TL30

### Rebate Kit

Suits TL25 and TL30

- ■ ■ 9701



### Rim Lock

- RL64MB
- RL64PB

### Flat Keeper for RL64

To suit outward opening door

- ■ L7042



### Privacy Tubular Latch

- Push/Pull privacy pin engages/releases latch mechanism
- Converts Designer Collection lever on rose latch set to privacy set

- ■ TLP60

Backset of privacy pin – 38mm

### Heavy Duty Tubular Latch

- Heavy duty mechanism suitable for unsprung door furniture

- ■ TL25HD



- ■ TL30HD

HEAVY DUTY



## Bolts / Latches

| CODE   | L     | CS | BS | TH |
|--------|-------|----|----|----|
| EC     | 70    | •  | •  | •  |
| ES     | 45    | •  | •  | •  |
| ET     | 86/70 | •  | •  | •  |
| RBB32  | •     | 32 | 12 | 6  |
| RBB60  | •     | 60 | 32 | 15 |
| RBBKEY | 84    | •  | •  | •  |
| ST     | 65/45 | •  | •  | •  |
| TB30   | •     | 76 | 60 | 10 |
| TL25R  | •     | •  | 45 | •  |
| TL30R  | •     | •  | 60 | •  |



REBATED

**Rebated Tubular Latch**

TL25R

- Suitable for rebated doors
  - Rebated latches are handed
- TL30R



**Tubular Bolt (Privacy Bolt)**

TB30

For use with Delf 195, 199, 200, 200A, 201, 202, 202A and Legge L0014/51



**Security Door Bolt**

RB60\*  
RBB60

\* Prepack 2 per card



**Security Window Bolt**

RB32\*  
RBB32

\* Prepack 2 per card



**Security Bolt Key**

RBBKEY

# SECURITY

## products

## Locks - Bolts Rebate Kits - Latches Cylinders

| FINISHES       | BROWN              | POLYURETHANE |
|----------------|--------------------|--------------|
| CHROME PLATE   | SATIN CHROME PLATE |              |
| MATT BLACK     | STAINLESS STEEL    |              |
| NICKEL PLATE   | WHITE              |              |
| POLISHED BRASS |                    |              |

## Euro Cylinders

**Euro Profile Single Cylinder (ES Series)\***

- ESCP
- ESPB
- ESSCP



**Thumb Turn Only (ST Series)**

- STCP
- STPB
- STSCP



**Euro Profile Double Cylinder (EC Series)\***

- ECCP
- ECPB
- ECSCP



**Euro Profile Cylinder and Turn (ET Series)\***

- ETCP
- ETPB
- ETSCP

\* Available – keyed alike, keyed to differ and unassembled.  
Please note: unassembled is not available in Satin Chrome Plate.